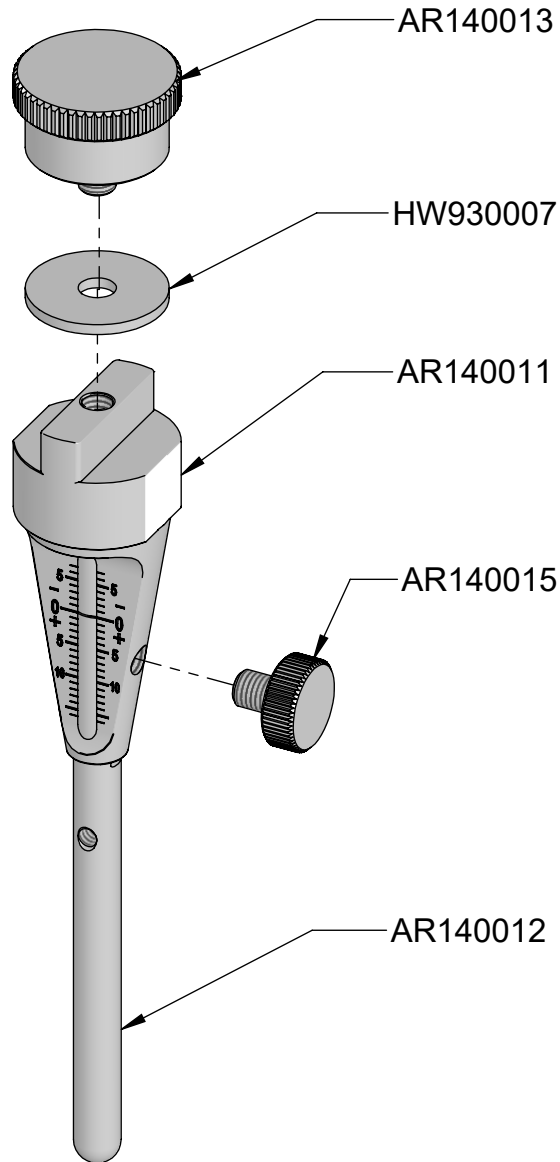


FOR REFERENCE PURPOSES ONLY



STRAIGHT INCISAL PIN MODULE

THE EXPLODED PARTS DIAGRAM